

Safety Valves

Type 06386



Cryogenic Safety Valves, angle type, bronze, PN40, type tested TÜV-SV.780. S/G

Standard safety valve (0.2 - 25.0/40.0 bar)

Metal to metal seated, closed bonnet

"cleaned and degreased for oxygen service"

Part No. 06386.X.0000

Inlet: male thread type G (BSPP) acc. to ISO 228/1, Outlet: female thread type G (BSPP) acc. to ISO 228/1

Part No. 06386.X.2000

Inlet: male thread type R (BSPT) acc. to ISO 7/1, Outlet: female thread type G (BSPP) acc. to ISO 228/1

Part No. 06386.X.5000

Inlet: male thread NPT acc. to ANSI B 1.20.1, Outlet: female thread type G (BSPP) acc. to ISO 228/1

Part No. 06386.X.6000

Inlet: male thread NPT acc. to ANSI B 1.20.1, Outlet: female thread NPT acc. to ANSI B 1.20.1

Available options - on request only:

- external parts nickel plated
- with installed elbow at the outlet

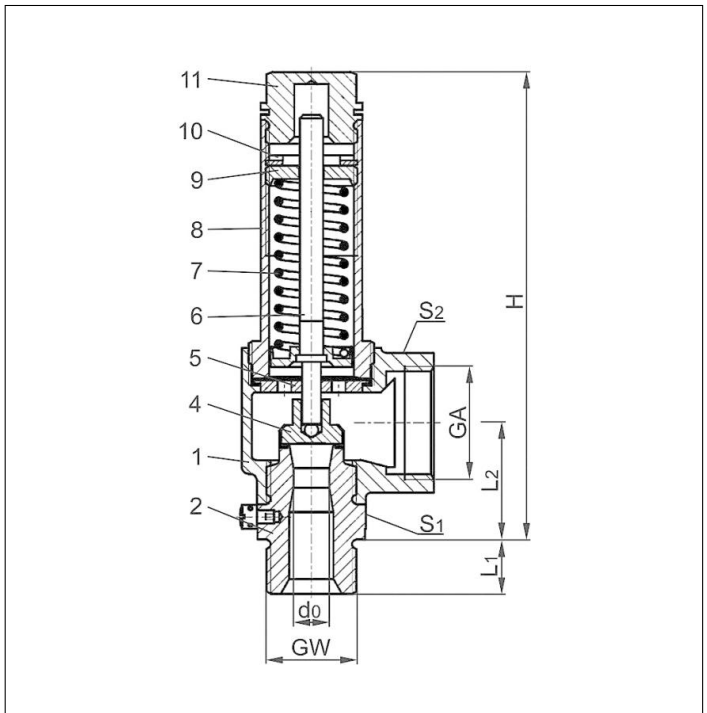


Applications:

Provided as safety device for protection against excessive pressure in stationary and moveable gas cylinders and pressure vessels. Approved for air gases, vapours and cryogenic liquefied gases incl. LNG.

Working temperature: -196°C / -321°F (77K) up to +185°C / +365°F (458K)

Materials	DIN EN	ASTM
1 Outlet body	CC491K	B 62 UNS C83600
2 Inlet body	1.4301	A 276 Grade 304
4 Disc	1.4541	A 276 Grade 321
5 Guide plate	CW453K	B 103 UNS C52100
6 Stem	CW453K	B 103 UNS C52100
7 Spring	1.4571	A 276 Grade 316Ti
8 Bonnet	1.4308	A 351 CF 8
9 Spring clamp	CW614N	B 283 UNS C38500
10 Thread ring	CW614N	B 283 UNS C38500
11 Cap	CW614N	B 283 UNS C38500



Essential: Valves are delivered at a set pressure, therefore when ordering please confirm set pressure, medium and temperature.

Standard marking acc. to Pressure Equipment Directive 97/23/EC (PED).



Type 06386	Technical data				
	Nominal size	GW	1/2	3/4	1
Orifice	d ₀	10.5	10.5	14.0	
Dimension code	.X.	1004	1006	1410	
Set pressure range	bar	0.2-25.0	0.2-25.0	0.2-40.0	
Outlet	GA	1	1	1-1/4	
Height	H	140	140	157	
Length	L ₁	14	16	18	
Length	L ₂	36	36	42	
Wrench size across flats	S ₁	30	30	41	
Wrench size across flats	S ₂	41	41	50	
Weight	ca. kg	0.75	0.78	1.24	
Coeff. of discharge from 3.0 bar	α _w	0.67	0.67	0.67	

Dimensions in mm.

Safety Valves

Type 06386



Discharge capacities

Calculation of mass flow acc. to AD2000-Merkblatt A2 / DIN EN ISO 4126-1

Medium:

Air in m³/h at 0°C and 1013.25 mbar

The capacity indicated below is for a fully opened valve.

d₀ - orifice

A₀ - flow area

Set pressure in bar (g)	GW	1/2	3/4	1
	d ₀ (mm)	10.5	10.5	14.0
	A ₀ (mm ²)	86.6	86.6	153.9
	Medium	Air		
0.2		25	25	49
0.5		48	48	87
1.0		74	74	135
1.5		99	99	175
2.0		123	123	217
3.0		170	170	303
4.0		214	214	381
5.0		258	258	459
6.0		302	302	537
7.0		345	345	614
8.0		390	390	694
9.0		434	434	772
10.0		479	479	851
12.0		566	566	1007
14.0		654	654	1163
16.0		742	742	1319
18.0		830	830	1475
20.0		926	926	1647
22.0		1015	1015	1805
24.0		1103	1103	1962
25.0		1148	1148	2041
26.0		-	-	2120
28.0		-	-	2277
30.0		-	-	2458
32.0		-	-	2617
34.0		-	-	2776
36.0		-	-	2934
38.0		-	-	3093
40.0		-	-	3280